

Key Features:

- Heavy duty wire rope cutter designed for use in severe working conditions
- Open sided design allows for easy positioning of the cutter on the cable
- Blade shaped anvil cuts higher grade cable
- Corrosion resistant stainless steel body with Nitrotec coated alloy steel cylinder
- Long blade and anvil life ensures that tool maintenance is kept to a minimum
- Ideal for operation in confined spaces

Webtool™ RC054

Cutters and Grinders

The RC054 is a double acting tool primarily intended for use on steel wire rope, having a maximum tensile strength of 1960N/mm, up to 54mm diameter.

It may be used on alternative materials, such as electrical power or communication cables, again up to a maximum of 54mm diameter.



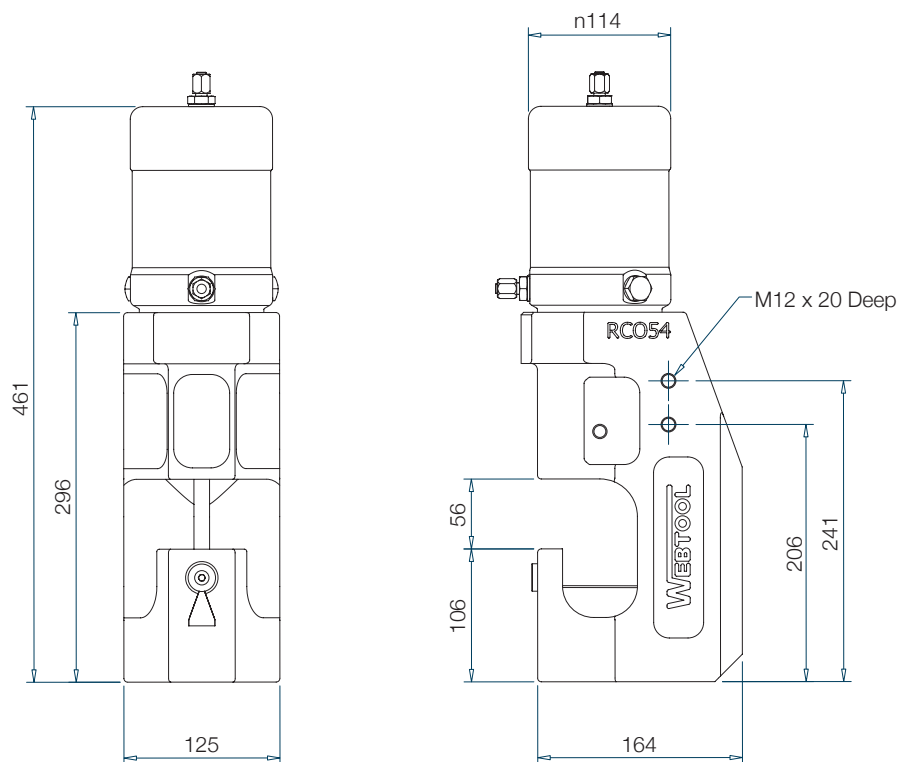
Webtool™ RCO54

Cutters and Grinders



Specifications

Dimensions	Height	461mm
	Width	177mm
Weight	Weight in air	37Kg
	Weight in water	33Kg
Hydraulics	Max input pressure	690 Bar
Cutting capacity	Maximum Ø54mm wire rope of 1960/mm ² grade	



System Components

54mm Hydraulic Cutter	Spare blade	
Manipulator handle		
Operating manual		
Transit case		