

**CORROSION  
TECHNOLOGY**

Imenco Corrosion Technology AS is a supplier of cathodic protection solutions. A major product group is the earthing connection between sacrificial anodes and subsea structures. The installation is diver-less, providing a safe and efficient operation.

**imenco.com**

# Anaconda®

## Retrofit Earthing Connector

The Anaconda® is intended for mounting to existing tubular structures, like jacket foundations.

The main benefits of choosing an Imenco Retrofit Earthing Connector are the strong mechanical hold, excellent electrical connection, and ease of installation. The clamp is guided into place by an ROV and tensioned with a torque tool to ensure a reliable and fast installation.

Anodes may be attached directly to the clamp, or by a earthing cable to an anode sled. Sizes can be made in ranges from 12".



For further information email:  
**corrosion@imenco.com**

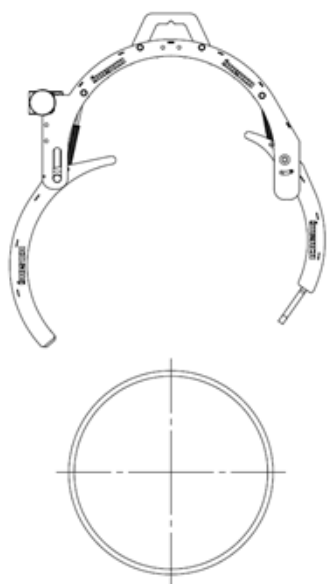
**IMENCO** **CORROSION**  
TECHNOLOGY

Contact us for additional information or to get a quotation. Send an email to [corrosion@imenco.com](mailto:corrosion@imenco.com) or find personal contact info on our website.

**imenco.com**

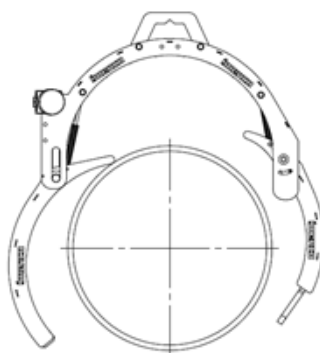
# CORROSION TECHNOLOGY

## INSTALLATION SEQUENCE

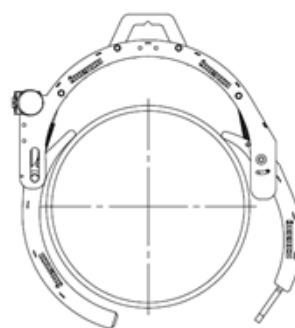


1. Approaching pipe

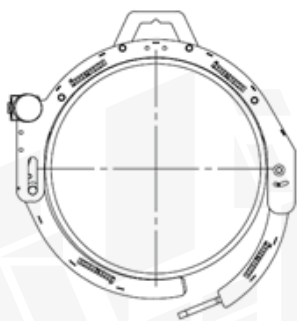
2. Left arm closing



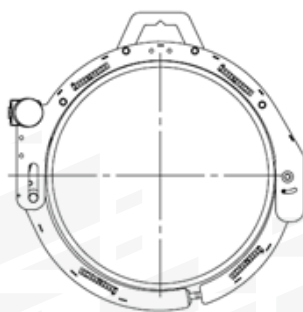
3. Right arm closing



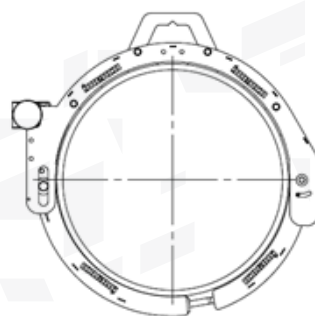
4. Arms connecting



5. Arms connected



6. Operate torque tool complete installation



For further information email:  
[corrosion@imenco.com](mailto:corrosion@imenco.com)

**IMENCO** **CORROSION**  
TECHNOLOGY

Achilles®

