

CATHODIC PROTECTION

Imenco has produced ROV installable Retrofit Anode Systems since 1999, which have proved to be very effective and installation friendly. The smart solution cater for compact design, enabling great flexibility in anode attachments.

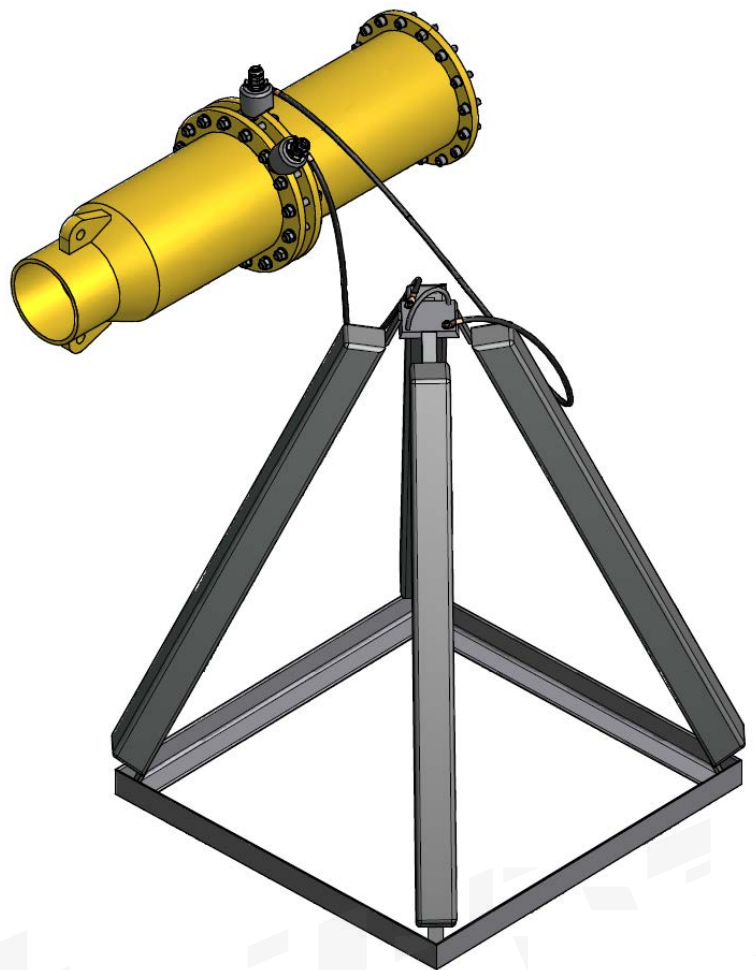
imenco.com

RETROFIT ANODE BRACKETS AND SLEDS

Imenco Retrofit Anodes can be configured to suit any operational requirement including size, location and attachment method.

Imenco has developed brackets, baskets and sleds to carry the sacrificial anodes. Each project, big or small, has their specific requirements and preferable solutions, thus many different variations of these products have been designed and produced by Imenco.

Most Imenco Retrofit Anode Clamps have identical bracket and bonding cable interface(s), ensuring great flexibility.



For further information email commercial@imenco.com

Contact us for additional information or to get a quotation. Send an email to commercial@imenco.com or find personal contact info on our website.

imenco.com

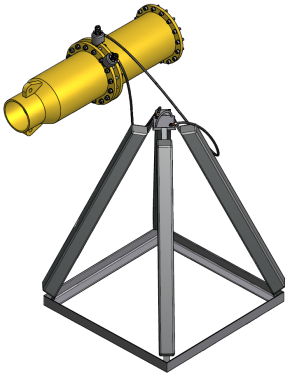
CATHODIC PROTECTION



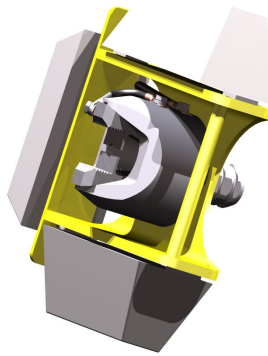
I-Bracket
Piranha™, Imenco Torrqe Tool



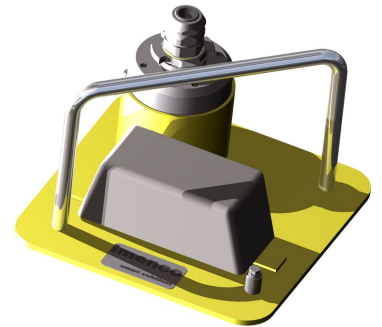
S-Bracket
Humboldt™ X attached to pad-eye on mooring line wire socket



Anode Sled
Two Piranha™ Clamps connect the anode sled to the flanges



Orbital Bracket
Mounted on Piranha™ for direct installation



Anode Basket
With storage bay for Retrofit Clamp

For further information email commercial@imenco.com